

## R4-82 Rotary Paddle Latch

Pull-to-open

### Features

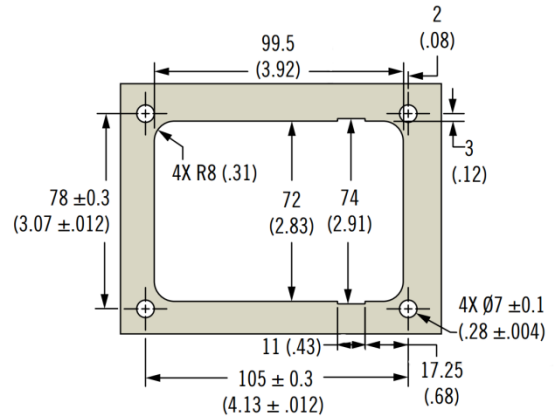
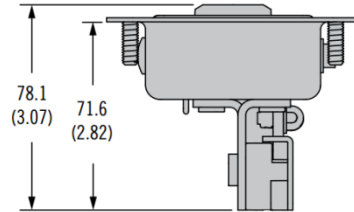
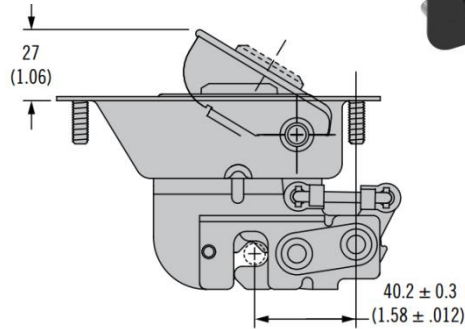
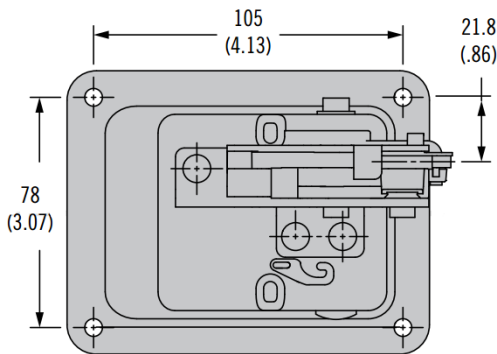
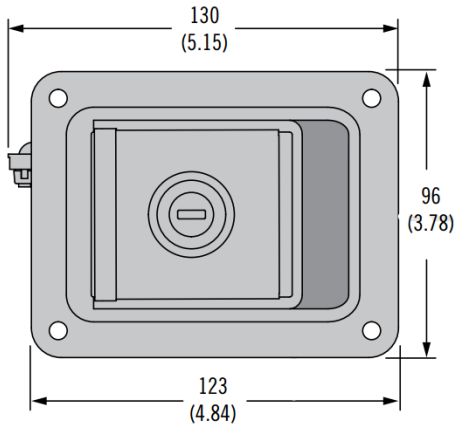
- Direct actuation, no cable or rod required
- Single or two stage latching
- Integrated bumper
- Thru hole or stud mounting options

### Material

- Cup and handle: Steel, zinc plated or black powder coat
- Lock slide, latch frame, pawl, trigger: Steel, zinc plated

### Notes

- Thru hole: M5 or #8 screws recommended
- Studs: Use M6 mounting nuts (max tightening torque 7 N.m)
- Studs: Max panel thickness 10



### S Stage

- 6 Single Stage with Integrated Bumper
- 8 Two Stage with Integrated Bumper

### L Locking Options

- 1 Reversible Key (No Keys - R001)
- 2 Reversible Key (2 Keys included - R001)
- 3 Reversible Key (Keyed differently - 2 keys included)
- 4 Standard Key (No keys - CH751)
- 5 Standard Key (2 Keys included - CH751)
- 6 Standard Key (Keyed differently - 2 keys included)
- 7 Reversible Key (2 keys included - 14603)
- 9 No Lock Plug installed (See notes for more information)

### H Housing

- 2 Rivet Thru Hole 5.2 (.20)
- 4 Press-in Studs

### PP Finish

- 10 Zinc plated
- 50 Black powder coated

R4 - 82 - S L H - PP - KC

### KC Key Codes

- (Omit for Locking Options 1, 2, 4, 5 and 9)
- \*KD10 Keyed Differently (Only used if L = 3 or 6)
- \*MK10 Master Keyed Differently (Only used if L = 6)

\*Supplied in multiples of 10 with 10 different key codes.